



## MAV12 - GENERAL SPECIFICATIONS

# MAV12 SERIES



Anfield valve model MAV12 model is a 12 gpm (45 l/m) monoblock directional valve that is only offered in a single spool configuration for a compact design. MAV12 features metered spools for smooth shifting and transition, built in adjustable relief valve, hardened steel spools and come standard with SAE 8 work and inlet/outlet ports. The hand levers are field adjustable for either horizontal or vertical mounting. Stock configurations with open center, blocked center for cylinder applications or Pressure blocked, A & B to Tank center position for motor applications.

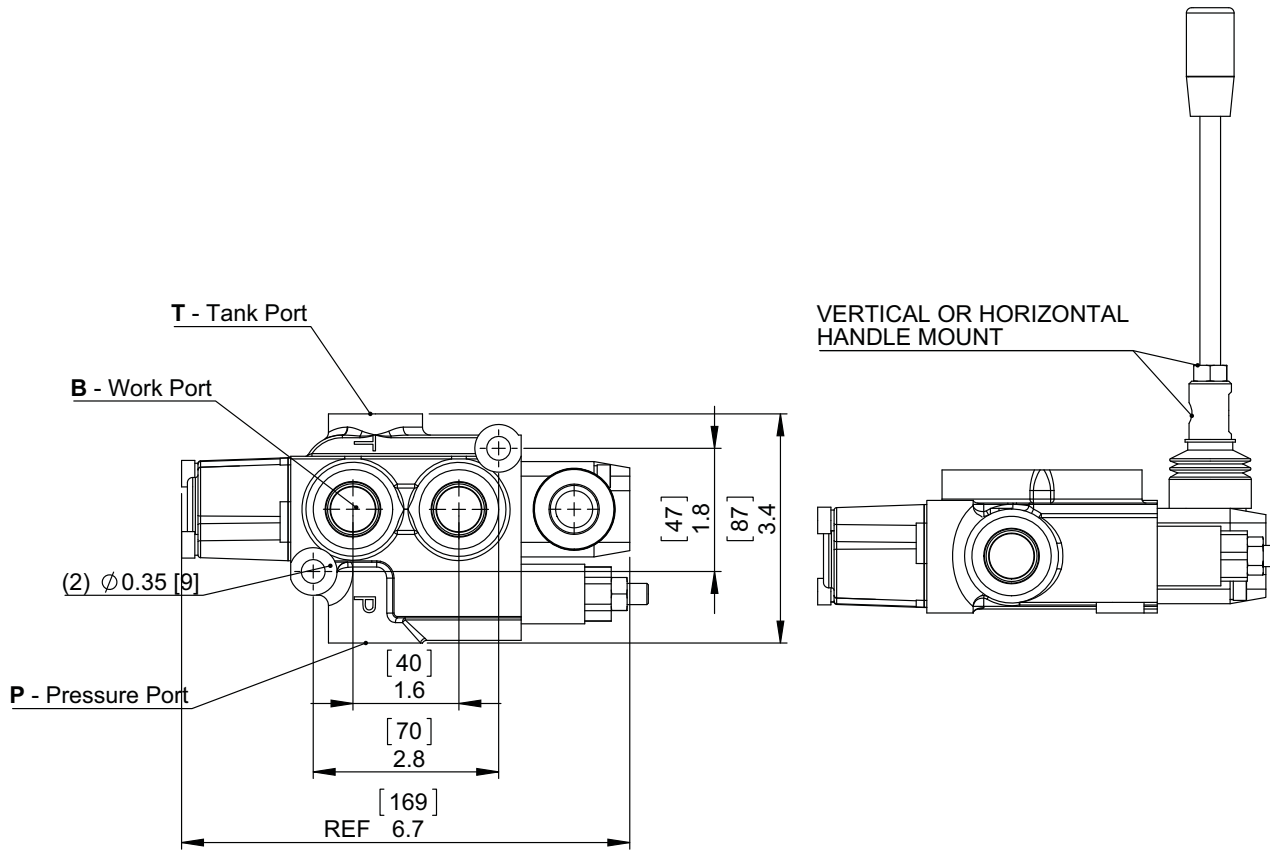
### Applications:

- Agricultural
- Construction
- Mining
- Material handling equipment
- Maintenance machinery

### TECHNICAL DATA

|                                 |                                 |                             |
|---------------------------------|---------------------------------|-----------------------------|
| Nominal Flow Rate               | 12 GPM                          | 45 L/min                    |
| Max Flow Rate                   | 14 GPM                          | 55 L/min                    |
| Sections Available              | 1 Section                       |                             |
| Max. Operating Pressure         | 4500 psi                        | 310 bar                     |
| Max Pressure for P port         | 4500 psi                        | 310 bar                     |
| Max Pressure for A & B port     | 4500 psi                        | 310 bar                     |
| Max Pressure for T port         | 360 psi                         | 25 bar                      |
| Recommended Oil Viscosity Range | 0.02 to 0.12 in <sup>2</sup> /s | 15 to 75 mm <sup>2</sup> /s |
| Recommended Temperature Range   | -40°F to 140°F                  | -40°C to 60°C               |

# MAV12 - DIMENSIONS

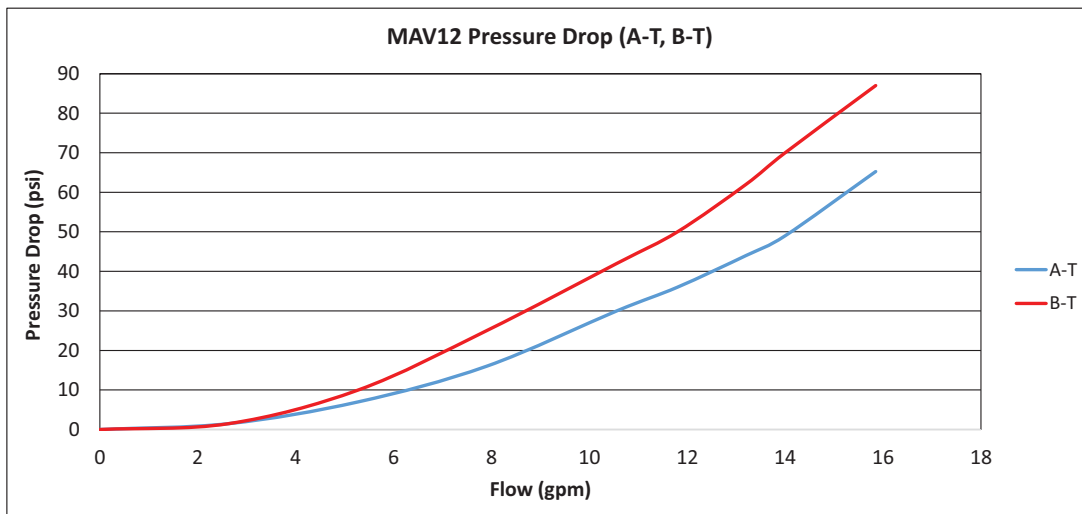
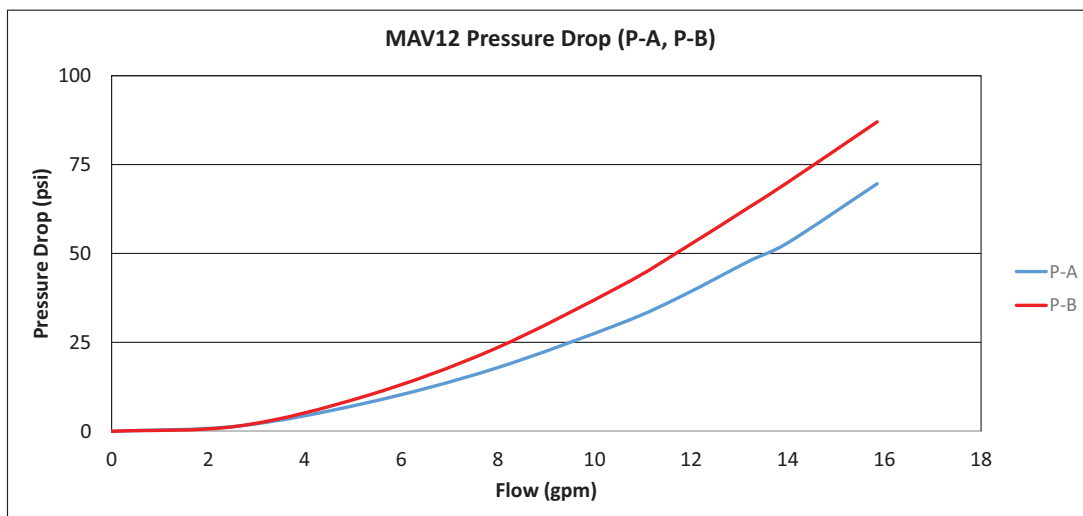
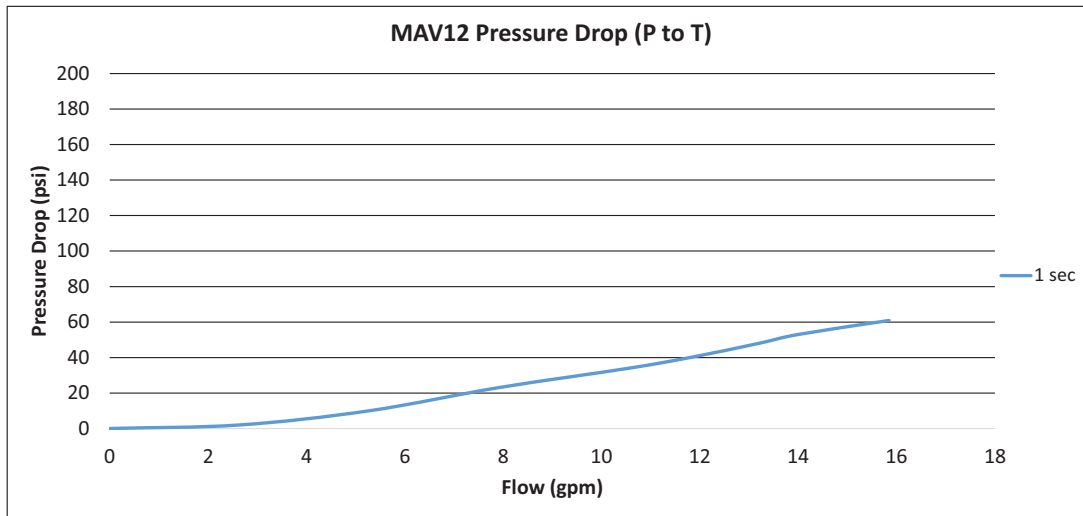


## STANDARD THREADS

| Ports | Inlet P | A and B        | Outlet T and C |
|-------|---------|----------------|----------------|
|       |         | 3/4-16 (SAE 8) | 3/4-16 (SAE 8) |



# MAV12 - GENERAL SPECIFICATIONS





## Ordering Code :

Example :

MAV-12 - 1S - R2 - D1 - 1 - L - 8S - M1

### 1. BODY KITS :

**1S** - 1 Section (Only offered with 1 section)

### 2. INLET RELIEF:

**R2** - 40 Bar to 80 Bar (580 psi to 1160 psi), Standard Setting 80 Bar (1160 psi)

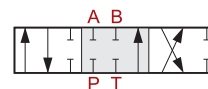
**R3** - 63 Bar to 200 Bar (914 psi to 2900 psi), Standard Setting 120 Bar (1740 psi)

**R4** - 160 Bar to 315 Bar (2320 psi to 4568 psi), Standard Setting 220 Bar (3190 psi)

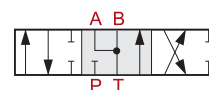
**SV** Relief valve blanking plug

### 3. SPOOL TYPE:

**D1** - 4 Way 3 Position  
A, B Closed in Neutral Position



**D2** - 4 Way 3 Position  
A, B Open to Tank in neutral Position



### 4. B SIDE SPOOL POSITION

**1** - 3 Position Detent



**S** - Spring Center to Neutral



### 5. A SIDE SPOOL POSITION

**L** - Lever Handle

**DP** - Dust Plate (No handle and handle box)

### 6. THREAD

**8S** - A, B Ports - 3/4-16 (SAE8)

### 7. PORT

**M1** - No Power Beyond